

Active Transmitter Combiner 4:1 AC 2

Instructions for use



Brief description

With the AC 2 4-to-1 active transmitter combiner, the signals of up to four SR 300 IEM G2 transmitters can be combined onto a single antenna. The AC 2 also incorporates DC distribution for powering the transmitters.

By using the GA 2 rack adapter, two AC 2 combiners or one AC 2 combiner and one SR 300 IEM G2 stereo transmitter can be mounted into a 19" rack.

Areas of application:

- Multi-channel in-ear monitoring systems for broadcast or stage use
- Multi-channel systems suitable for any application where talk-back signals are to be transmitted (e.g. studio)

Delivery includes

- 1 AC 2 4-to-1 active transmitter combiner
- 1 set of plastic feet
- Instructions for use

Note:

The NT 3 mains unit must be ordered separately.

Safety instructions

Caution!



Never open the unit! If units are opened by you in breach of this instruction, the warranty becomes null and void.

Attention!



Make sure that the air vents of the unit are not covered or blocked! Keep the unit away from central heating radiators and electric heaters!

Caution!



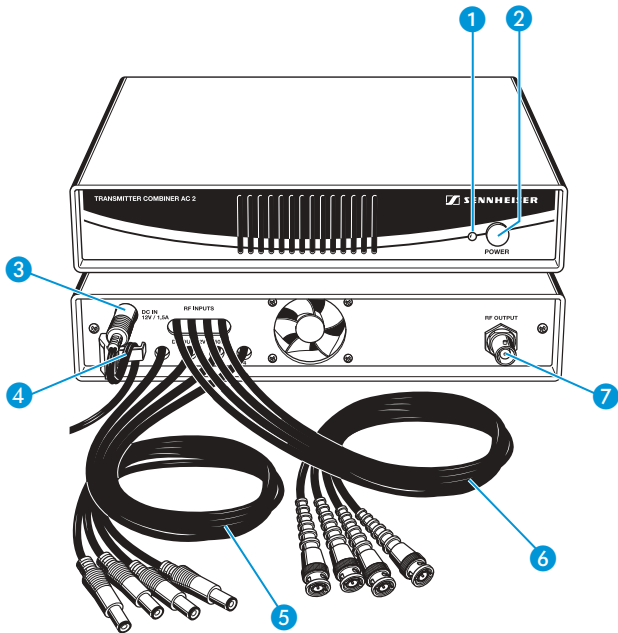
Set up the unit on an even surface or mount it into a rack! Lay the cables in such a way that no-one can stumble over them!

Danger!



Keep liquids and small parts which conduct electricity away from the unit! Use a slightly damp cloth for cleaning the unit. Do not use any solvents or cleansing agents!

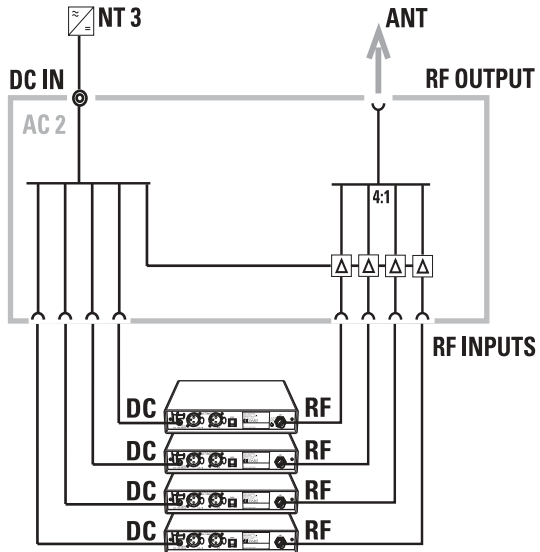
Operating controls



- ① Red LED for operation indication
- ② On/off switch (POWER)
- ③ DC input (DC IN) for mains unit
- ④ Cable grip for power supply DC cable
- ⑤ Four DC outputs (DC OUT) for powering up to four transmitters
- ⑥ Four BNC cables (RF INPUTS)
- ⑦ BNC socket (RF OUTPUT)

Putting the unit into operation

The below connection diagram shows the connections for a 4-channel system.



Setting up the unit

The unit is suitable for use as table top or can be mounted into a rack.

- ▶ For mounting the unit into a 19" rack, use the GA 2 rack adapter (optional accessory).
- ▶ For table top use, fix the plastic feet to the base of the unit.

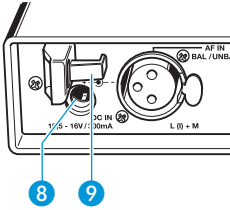
Note:

Some furniture surfaces have been treated with varnish, polish or synthetics which might cause stains when they come into contact with other synthetics. Despite a thorough testing of the synthetics used by us, we cannot rule out the possibility of staining.

Connecting the transmitters

You can connect up to four SR 300 IEM G2 transmitters to the combiner. The combiner incorporates DC distribution for powering the transmitters.

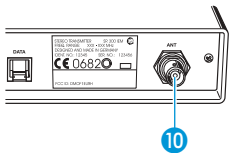
- ▶ Pass the cables coming from the combiner's DC outputs through the cable grips **9** at the rear of the transmitters.
- ▶ Insert the hollow jack plugs into the sockets **8** of the transmitters.



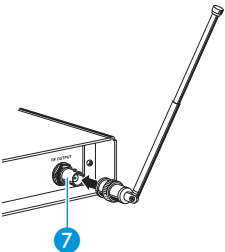
Connecting the antenna

The combiner combines the transmission signals of up to four transmitters onto a single antenna.

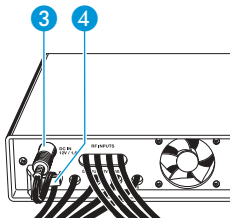
- ▶ Connect the BNC cables of the combiner to the BNC sockets **10** of the transmitters.



- ▶ Connect the telescopic antenna of one of the transmitters to the BNC socket **7** of the combiner.
- ▶ Pull the end cap to extend the telescopic antenna and align it upwards.
- ▶ When rack-mounting the combiner, the telescopic antenna can be connected to the front of the GA 2 rack adapter by using the AM 2 antenna mount (optional accessory).



Use a remote antenna (optional accessory) when the combiner position is not the best antenna position for optimum transmission.



Connecting the mains unit

The combiner is powered via the NT 3 mains unit. To switch the combiner on, press the on/off switch (POWER). The red LED lights up, indicating the the unit is ready for operation.

- ▶ Pass the cable through the cable grip ④.
- ▶ Insert the DC connector on the power supply cable into the DC input ③.

Note:

As soon as the combiner is switched on, the built-in fan starts producing a clearly audible operating sound and ensures proper cooling of the unit.

Make sure that the air vents of the unit are not covered or blocked.

If problems occur ...

The combiner does not transmit a signal

- ▶ Check the connections of the NT 3 mains unit.

Disturbed RF transmission

- ▶ Make sure that the antenna is connected correctly. Use low-loss RF cables which are as short as possible.

If problems occur that are not listed above or if the problems cannot be solved with the proposed solutions, please contact your local Sennheiser agent for assistance.

Specifications

Active transmitter combiner	4:1
Frequency range	500 to 870 MHz
Distribution attenuation	0 dB (± 1 dB)
RF input power	max. 100 mW per input
Impedance	50 Ω
Power supply	12 V DC ± 5 %
Current consumption	max. 1.5 A +1 A for powering the transmitters

Accessories

- NT 3** Mains unit for AC 2 and four transmitters (e.g. SR 300 IEM G2), output voltage: 12 V DC, output current: 2.5 A, European version
- NT 3-120** Mains unit for AC 2 and four transmitters (e.g. SR 300 IEM G2), 120 V version
- NT 3-UK** Mains unit for AC 2 and four transmitters (e.g. SR 300 IEM G2), UK version
- GZL 1019-A1** BNC-BNC coaxial cable, length 1 m
- GZL 1019-A5** BNC-BNC coaxial cable, length 5 m
- A 1031-U** Passive UHF antenna
 - GA 2** 19" rack adapter
 - AM 2** Antenna mount for mounting antennas to the front of the GA 2
- A 2003-UHF** UHF directional antenna

ENGLISH

The guarantee period for this Sennheiser product is 24 months from the date of purchase. Excluded are accessory items, rechargeable or disposable batteries that are delivered with the product; due to their characteristics these products have a shorter service life that is principally dependent on the individual frequency of use.

The guarantee period starts from the date of original purchase. For this reason, we recommend that the sales receipt be retained as proof of purchase. Without this proof (which is checked by the responsible Sennheiser service partner) you will not be reimbursed for any repairs that are carried out.

Depending on our choice, guarantee service comprises, free of charge, the removal of material and manufacturing defects through repair or replacement of either individual parts or the entire device. Inappropriate usage (e.g. operating faults, mechanical damages, incorrect operating voltage), wear and tear, force majeure and defects which were known at the time of purchase are excluded from guarantee claims. The guarantee is void if the product is manipulated by non-authorised persons or repair stations.

In the case of a claim under the terms of this guarantee, send the device, including accessories and sales receipt, to the responsible service partner. To minimise the risk of transport damage, we recommend that the original packaging is used. Your legal rights against the seller, resulting from the contract of sale, are not affected by this guarantee.

The guarantee can be claimed in all countries outside the U.S. provided that no national law limits our terms of guarantee.

EG-Konformitäts-Erklärung
EC Certificate of Conformity / Déclaration de conformité pour la CEE
Certificato di conformità comunitario
Declaración de Conformidad / EG-Conformiteitsverklaring

SENNHEISER electronic GmbH & Co. KG

Am Labor 1, D-30900 Wedemark

erklären, dass das Produkt / declare that this device / déclarons que ce appareil /
declaramos que este aparato / dichiara che questo apparecchio / verklaren, dat det toestel

AC 2 Active Antenna Combiner 4:1

den einschlägigen Anforderungen der EG-Richtlinie 89/336/EEC bzw. der R&TTE-Direktive 1999/5/EC entsprechen. Zur sachgemäßen Umsetzung der in den EG-Richtlinien genannten Anforderungen wurden folgende Normen herangezogen:

conform to the basic requirements of EEC Directive 89/336/EEC resp. R&TTE Directive 1999/5/EC. To effect correct application of the requirements stated in the EEC Directives, the following standards were consulted:

sont conformes aux prescriptions fondamentales dans la Directive de la CEE 89/336/EEC or la Directive R&TTE 1999/5/EC. Pour mettre en pratique dans la règle de l'art les prescriptions des Directives de la CEE, il a été tenu compte des normes suivantes:

complen los requerimientos básicos de la normativa de la CEE 89/336/EEC resp. de la normativa R&TTE 1999/5/EC. Con il fin de realizar de forma adecuada los requerimientos referidos en las normativas de la CEE fueron consultadas las siguientes normativas:

sono conformi alla normativa 89/336/EEC resp. alla normativa R&TTE 1999/5/EC. Per un'appropriateo risconto nell'ambito della normativa CEE sono state consultate le seguenti normative:

evereenkomt met de basiseisen van de EG-Richtlijn 89/336/EEC resp. de EG-Richtlijn 1999/5/EC. Om de eisen, die in de EG-Richtlijnen vermeld zijn, in juiste vorm om te zetten, zijn van volgende normen gebruik gemaakt:

ETS 300 445 ETS 300 422

Wedemark, Oct, 2003



Klaus Willemsen,
Key Projects, Product Marketing

Bemerkung:

Vor Inbetriebnahme sind die jeweiligen länderspezifischen Vorschriften zu beachten!

Important:

Before putting the device into operation, please observe the respective country-specific regulations!

Important:

Avant d'utiliser l'appareil, veuillez observer les dispositions légales en vigueur dans votre pays.

Nota:

Prima della messa in funzione seguite le prescrizioni vigenti nel paese nel quale viene utilizzato!

Observación:

!Anterior a la puesta en funcionamiento deberán observarse las correspondientes ordenanzas nacionales!

Opmerking:

Voor inbedrijfstelling dient u de afzonderlijke landspecifieke voorschriften in acht te nemen!

CE 0682 Ⓢ

Diese Service-Nummer gilt nur für Deutschland



K . I . S . S .

Kunden-Information-System-Sennheiser

0180 / 5221 539

0,12 € je Minute

Montag - Freitag: 8.00 Uhr - 18.00 Uhr



Sennheiser electronic GmbH & Co. KG
30900 Wedemark, Germany
Phone: +49 (5130) 600 0
Fax: +49 (5130) 600 300
www.sennheiser.com